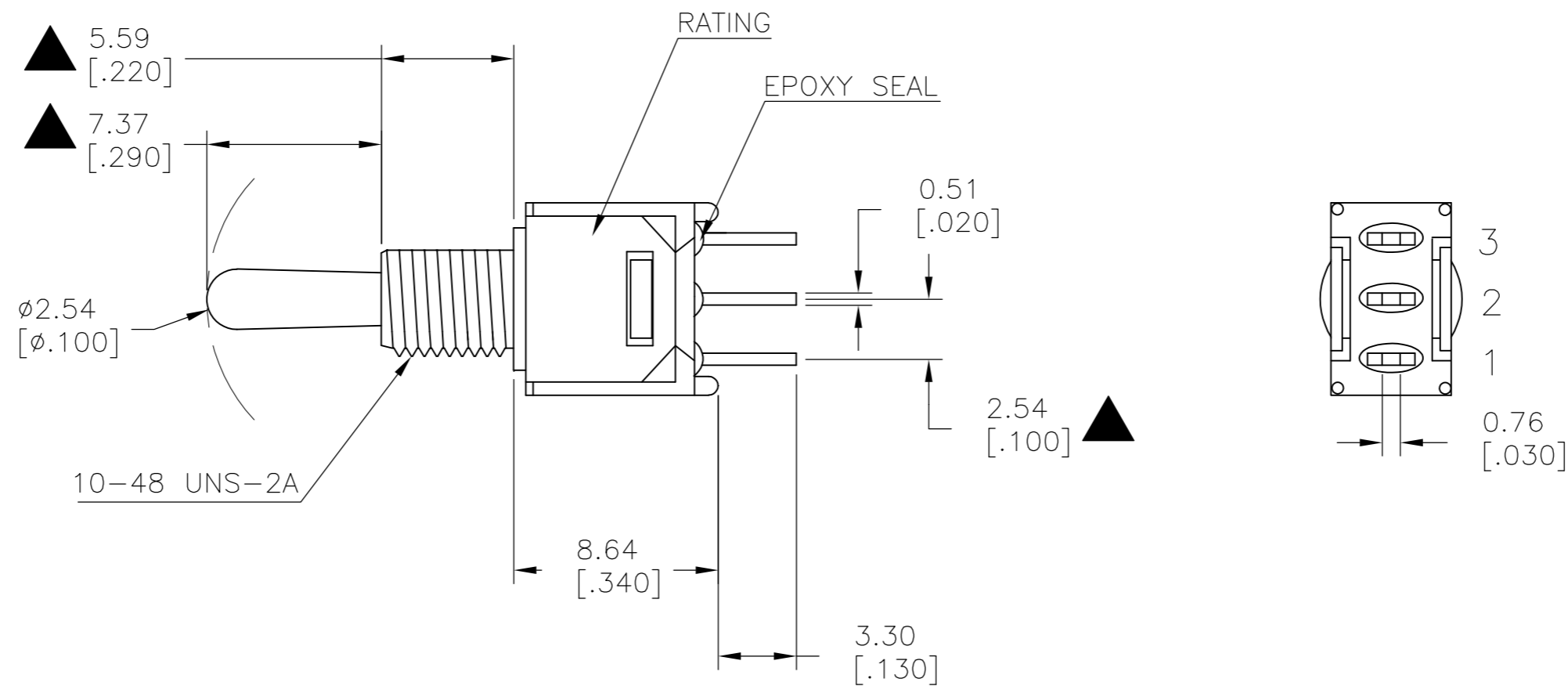
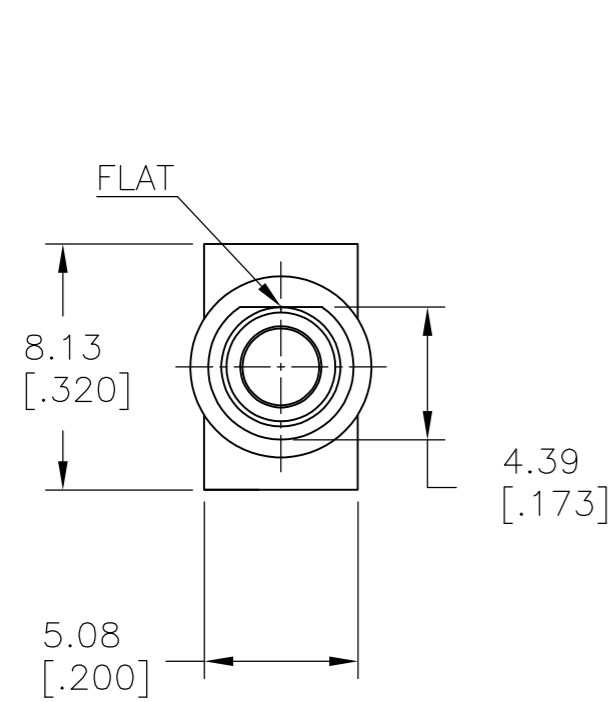


THIS DRAWING IS UNPUBLISHED. RELEASED FOR PUBLICATION
 © COPYRIGHT - By - ALL RIGHTS RESERVED.

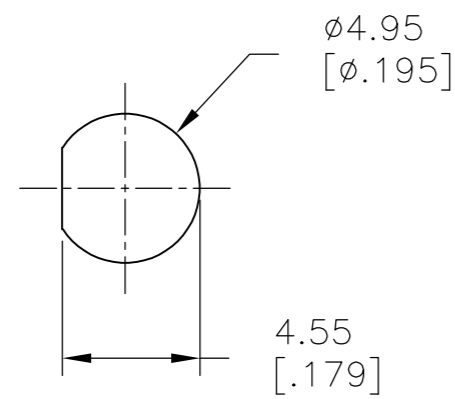
| LOC | | DIST | | REVISIONS | | | |
|-----|-----|---------------------------|--|-----------|-----|------|--|
| P | LTR | DESCRIPTION | | DATE | DWN | APVD | |
| | A1 | REVISED PER ECO-15-014342 | | 07OCT2015 | NK | RH | |

1 HARDWARE SUPPLIED WITH THREADED-BUSHING
 PARTS ONLY: TE P/N 2213733-1 (NUT) X2
 P/N 2213733-2 (LOCKING WASHER) X1

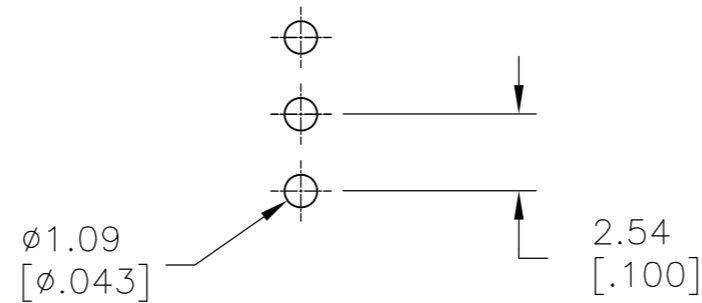


| MODEL NO. | POS.1 | POS.2 | POS.3 |
|-------------|-------|-------|-------|
| TMS | ON | OFF | ON |
| TERM. COMM. | 2-3 | | 2-1 |
| SCHMATIC | OPEN | | |

SWITCH FUNCTION



PANEL MOUNTING



SOLDER LUG

LAYOUT FOR PN 2267079-6

SPECIFICATIONS

MECHANICAL LIFE: 30,000 MAKE-AND-BREAK CYCLES.

CONTACT RESISTANCE: 20 mΩ MAX. INITIAL @ 2-4VDC
 100mA FOR BOTH SILVER AND GOLD PLATED CONTACTS.

CONTACT RATING: SILVER PLATED: 3A @ 120 VAC OR 28 VDC, 1A @ 250 VAC
 GOLD PLATED: 0.4VA MAX @ 20 V MAX (AC OR DC)

INSULATION RESISTANCE: 1,000 MΩ MIN.

DIELECTRIC STRENGTH: 1,000 Vrms MIN.@SEA LEVEL.

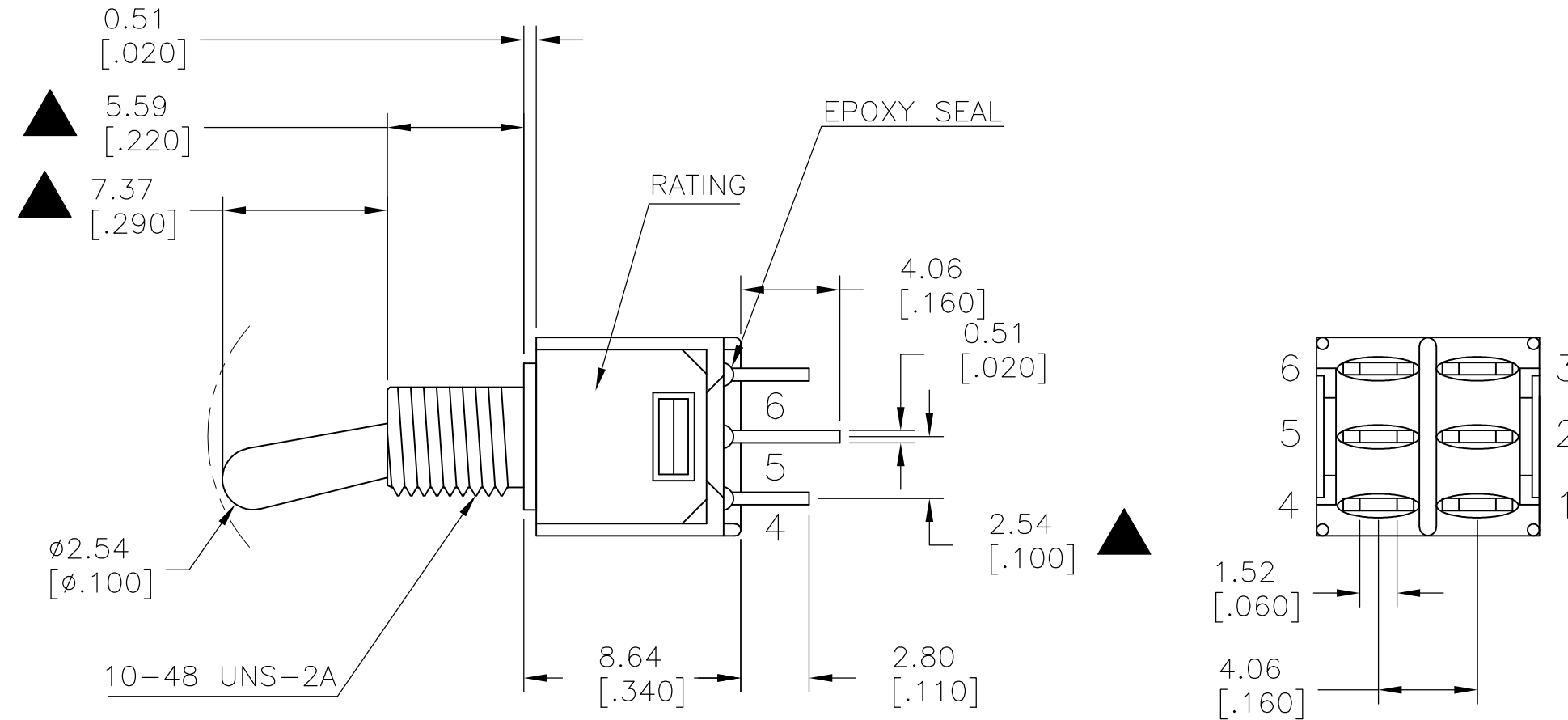
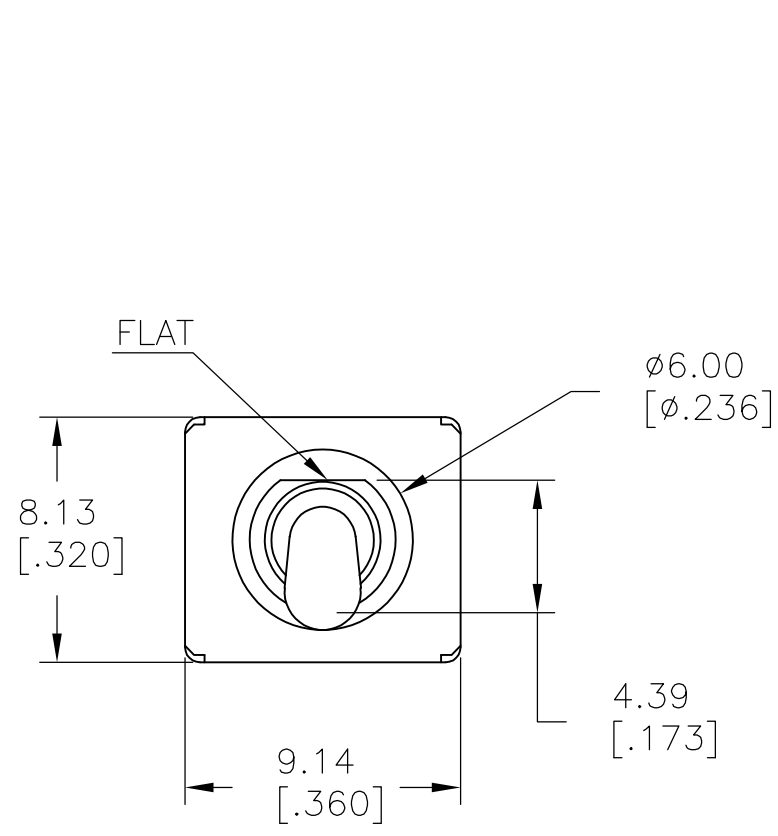
OPERATING TEMPERATURE: -30°C TO 85°C.

| | | | | | | | |
|------------------|-----------|-----------------|-------------|-------|--------|----------------|-----------|
| GOLD | ON-OFF-ON | PC THROUGH-HOLE | VERTICAL | 1 | 2 | TMS3T3B1M2RE | 2267079-6 |
| SILVER | ON-ON | SOLDER LUG | VERTICAL | 2 | 2 | TMD1T3B1M1QE | 2267079-5 |
| SILVER | ON-OFF-ON | SOLDER LUG | VERTICAL | 1 | 2 | TMS3T3B1M1QE | 2267079-4 |
| SILVER | ON-ON | SOLDER LUG | VERTICAL | 1 | 2 | TMS1T3B1M1QE | 2267079-3 |
| SILVER | OFF-ON | SOLDER LUG | VERTICAL | 1 | 2 | TMS6T3B1M1QE | 2267079-2 |
| GOLD | ON-ON | WIRE WRAP | VERTICAL | 1 | 2 | TMS1T3B1M5RE | 2267079-1 |
| CONTACT MATERIAL | FUNCTION | TERMINATION | MOUNT ANGLE | POLES | THROWS | DESCRIPTIVE PN | TE PN |

| | | | | |
|--|--|-----------------------------------|---|--|
| THIS DRAWING IS A CONTROLLED DOCUMENT. | | DWN NAGALAKSHMI K 11JUL2014 | TE Connectivity | |
| DIMENSIONS: mm [INCHES] | | CHK HILL, RYAN 11JUL2014 | | |
| TOLERANCES UNLESS OTHERWISE SPECIFIED: | | APVD HILL, RYAN 11JUL2014 | NAME | |
| 0 PLC ± - | | PRODUCT SPEC | SUBMINIATURE TOGGLE SWITCH | |
| 1 PLC ± 0.38[.015] | | APPLICATION SPEC | SIZE CAGE CODE DRAWING NO RESTRICTED TO | |
| 2 PLC ± 0.25[.010] | | WEIGHT | A2 00779 C=2267079 | |
| 3 PLC ± - | | CUSTOMER DRAWING | SCALE 3:1 SHEET 1 of 6 REV A1 | |
| 4 PLC ± - | | | | |
| ANGLES ± 5° | | | | |
| FINISH | | | | |

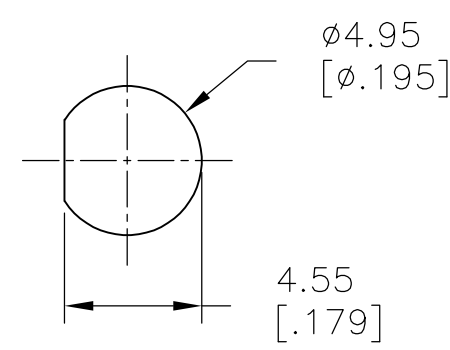
THIS DRAWING IS UNPUBLISHED. RELEASED FOR PUBLICATION
 © COPYRIGHT - By - ALL RIGHTS RESERVED.

| LOC | | DIST | | REVISIONS | | | |
|-----|-----|-------------|------|-----------|------|--|--|
| P | LTR | DESCRIPTION | DATE | DWN | APVD | | |
| - | - | SEE SHEET 1 | - | - | - | | |

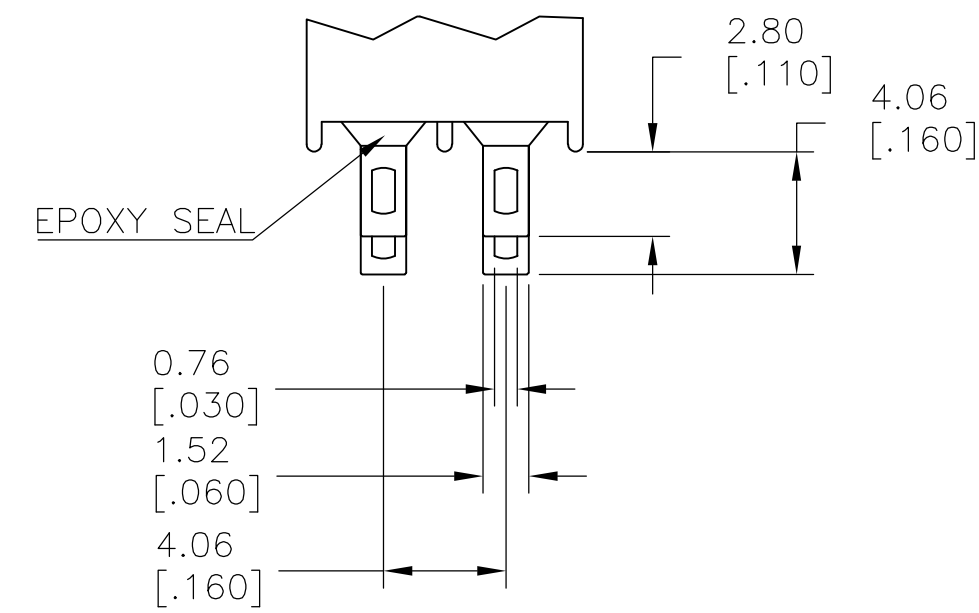


| MODEL NO. | POS.1 | POS.2 | POS.3 |
|-------------|---------|-------|---------|
| | | | |
| TMS | ON | NONE | ON |
| TERM. COMM. | 2-3,5-6 | | 2-1,5-4 |
| SCHEMATIC | N/A | | |
| | | | |

SWITCH FUNCTION



PANEL MOUNTING



SOLDER LUG

LAYOUT FOR PN 2267079-5

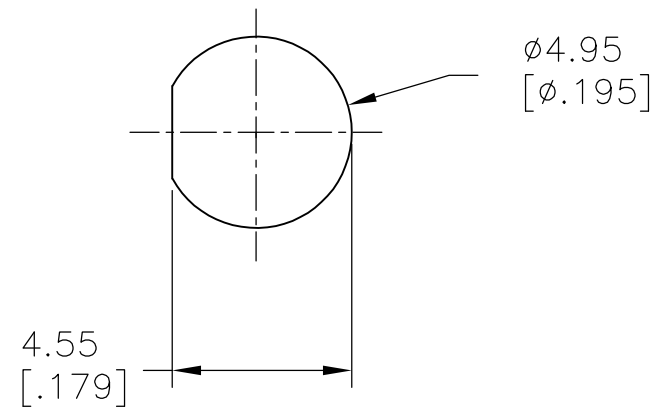
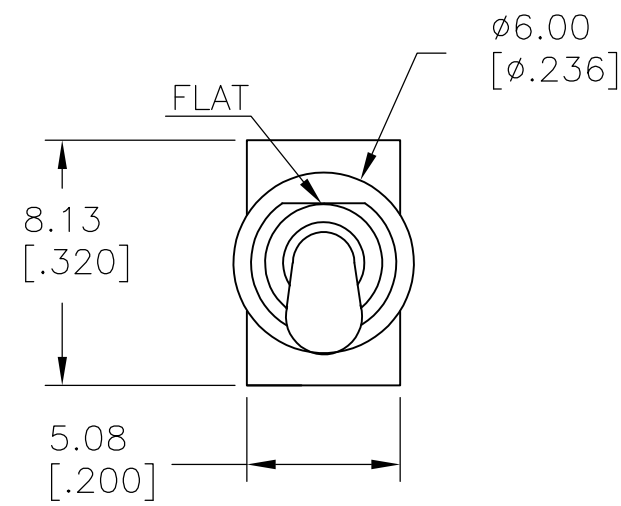
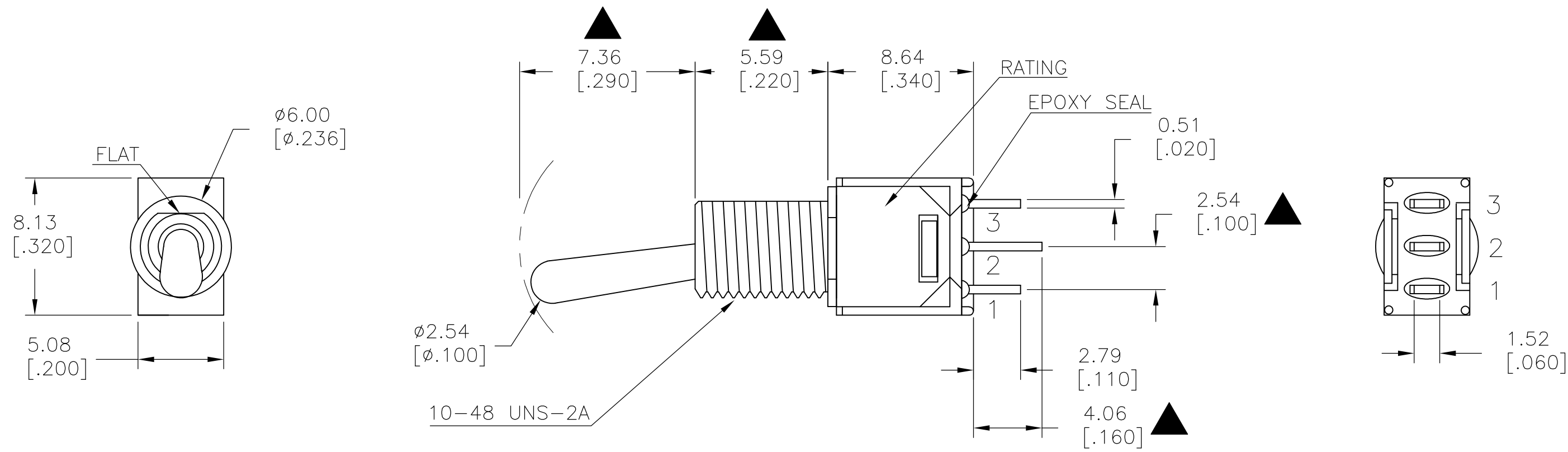
| | | | | |
|--|--|--------------------------------|----------------------------|---------------|
| THIS DRAWING IS A CONTROLLED DOCUMENT. | | DWN 11JUL2014 NAGALAKSHMI K | TE Connectivity | |
| DIMENSIONS: mm [INCHES] | | CHK 11JUL2014 HILL, RYAN | | |
| TOLERANCES UNLESS OTHERWISE SPECIFIED: | | APVD 11JUL2014 HILL, RYAN | NAME | |
| 0 PLC ± - | | PRODUCT SPEC | SUBMINIATURE TOGGLE SWITCH | |
| 1 PLC ± 0.38[.015] | | APPLICATION SPEC | SIZE | CAGE CODE |
| 2 PLC ± 0.25[.010] | | WEIGHT | A2 | 00779 |
| 3 PLC ± - | | CUSTOMER DRAWING | DRAWING NO | RESTRICTED TO |
| 4 PLC ± - | | SCALE | C=2267079 | - |
| ANGLES ± 5° | | SHEET | 2 of 6 | REV |
| FINISH | | REV | A1 | |

THIS DRAWING IS UNPUBLISHED. RELEASED FOR PUBLICATION
 © COPYRIGHT - By - ALL RIGHTS RESERVED.

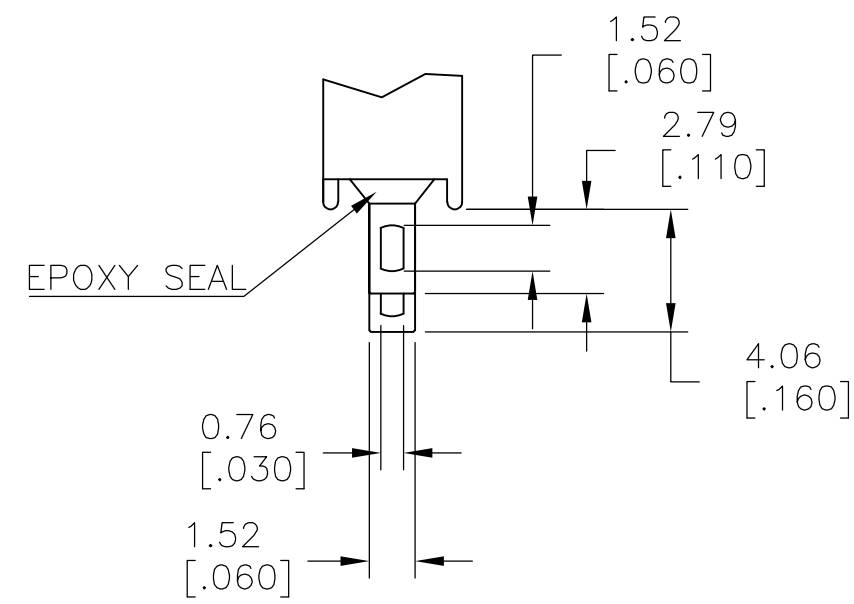
| LOC | | DIST | | REVISIONS | | | |
|-----|-----|-------------|------|-----------|------|--|--|
| P | LTR | DESCRIPTION | DATE | DWN | APVD | | |
| - | - | SEE SHEET 1 | - | - | - | | |

| MODEL NO. | POS.1 | POS.2 | POS.3 |
|-------------|-------|-------|-------|
| | | | |
| TMS | ON | NONE | ON |
| TERM. COMM. | 2-3 | | 2-1 |
| SCHMATIC | | N/A | |

SWITCH FUNCTION



PANEL MOUNTING



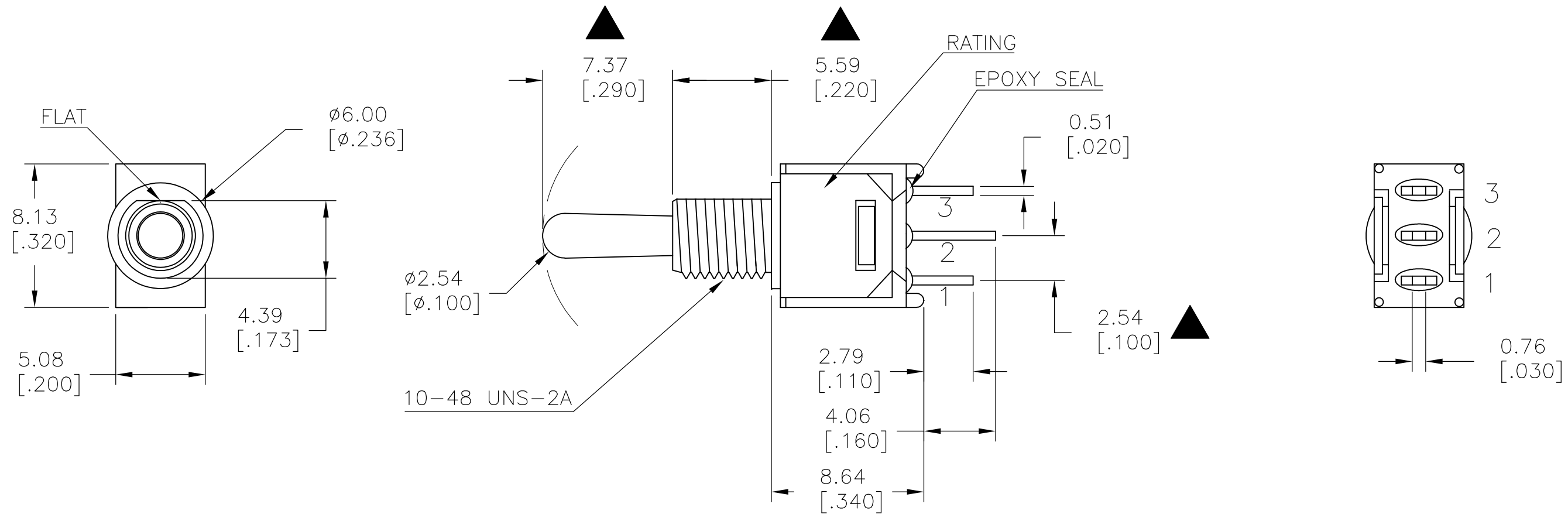
SOLDER LUG

LAYOUT FOR PN 2267079-3

| | | | | |
|--|--|--------------------------------|----------------------------|---------------|
| THIS DRAWING IS A CONTROLLED DOCUMENT. | | DWN 11JUL2014 NAGALAKSHMI K | TE Connectivity | |
| DIMENSIONS: mm [INCHES] | | CHK 11JUL2014 HILL, RYAN | | |
| TOLERANCES UNLESS OTHERWISE SPECIFIED: | | APVD 11JUL2014 HILL, RYAN | NAME | |
| 0 PLC ± - | | PRODUCT SPEC | SUBMINIATURE TOGGLE SWITCH | |
| 1 PLC ± 0.38[.015] | | APPLICATION SPEC | SIZE | CAGE CODE |
| 2 PLC ± 0.25[.010] | | WEIGHT | A2 | 00779 |
| 3 PLC ± - | | CUSTOMER DRAWING | DRAWING NO | RESTRICTED TO |
| 4 PLC ± - | | SCALE | C=2267079 | - |
| ANGLES ± 5° | | SHEET | 3 OF 6 | REV |
| FINISH | | SCALE | 3:1 | A1 |

THIS DRAWING IS UNPUBLISHED. RELEASED FOR PUBLICATION
 © COPYRIGHT - By - ALL RIGHTS RESERVED.

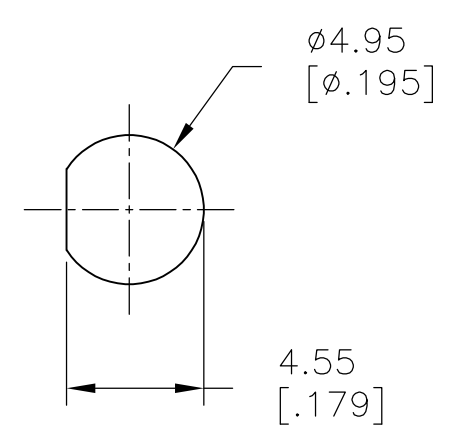
| LOC | | DIST | | REVISIONS | | | |
|-----|-----|-------------|------|-----------|------|--|--|
| P | LTR | DESCRIPTION | DATE | DWN | APVD | | |
| - | - | SEE SHEET 1 | - | - | - | | |



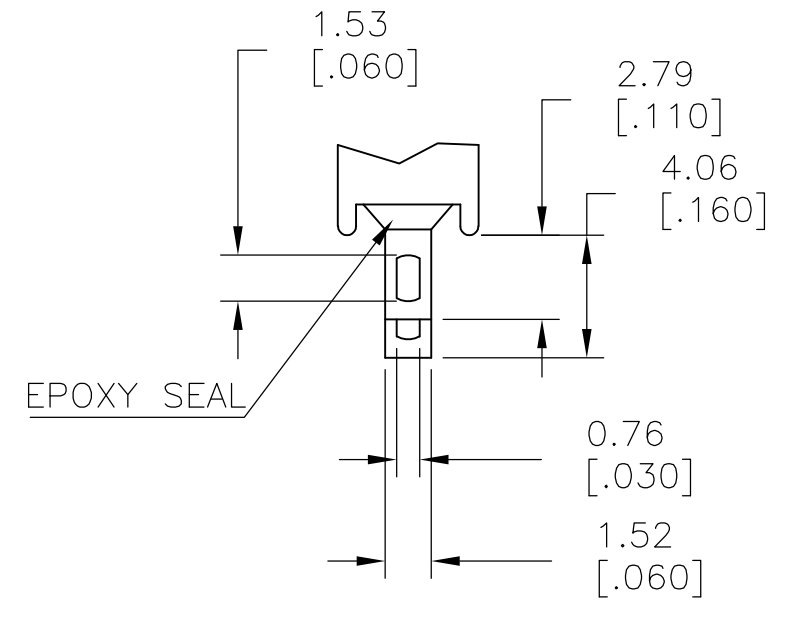
| MODEL NO. | POS.1 | POS.2 | POS.3 |
|-------------|-------|-------|-------|
| TMS | ON | OFF | ON |
| TERM. COMM. | 2-3 | | 2-1 |
| SCHEMATIC | | OPEN | |

SWITCH FUNCTION

PANEL MOUNTING



SOLDER LUG

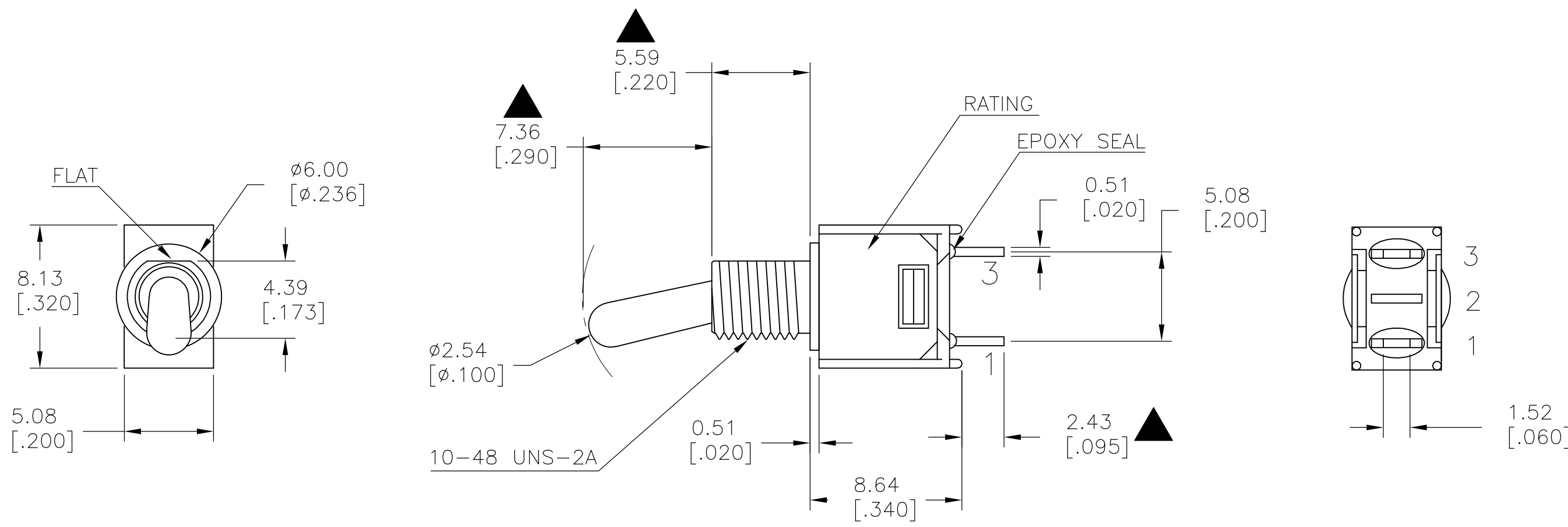


LAYOUT FOR PN 2267079-4

| | | | | |
|--|--|--------------------------------|----------------------------|---------------|
| THIS DRAWING IS A CONTROLLED DOCUMENT. | | DWN 11JUL2014 NAGALAKSHMI K | TE Connectivity | |
| DIMENSIONS: mm [INCHES] | | CHK 11JUL2014 HILL, RYAN | | |
| TOLERANCES UNLESS OTHERWISE SPECIFIED: | | APVD 11JUL2014 HILL, RYAN | NAME | |
| 0 PLC ± - | | PRODUCT SPEC | SUBMINIATURE TOGGLE SWITCH | |
| 1 PLC ± 0.38[.015] | | APPLICATION SPEC | SIZE | CAGE CODE |
| 2 PLC ± 0.25[.010] | | WEIGHT | A2 | 00779 |
| 3 PLC ± - | | CUSTOMER DRAWING | DRAWING NO | RESTRICTED TO |
| 4 PLC ± - | | SCALE 3:1 | C=2267079 | - |
| ANGLES ± 5° | | SHEET 4 of 6 | REV | A1 |
| FINISH | | | | |

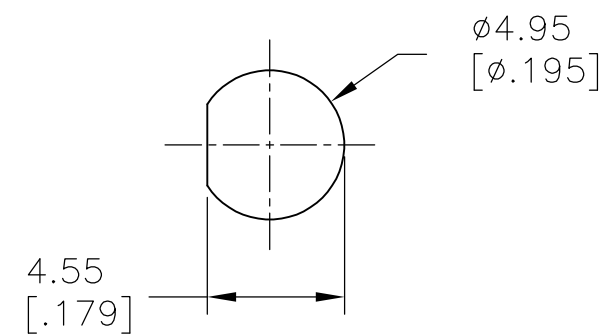
THIS DRAWING IS UNPUBLISHED. RELEASED FOR PUBLICATION
 © COPYRIGHT - By - ALL RIGHTS RESERVED.

| LOC | | DIST | | REVISIONS | | | |
|-----|-----|-------------|------|-----------|------|--|--|
| P | LTR | DESCRIPTION | DATE | DWN | APVD | | |
| - | - | SEE SHEET 1 | - | - | - | | |

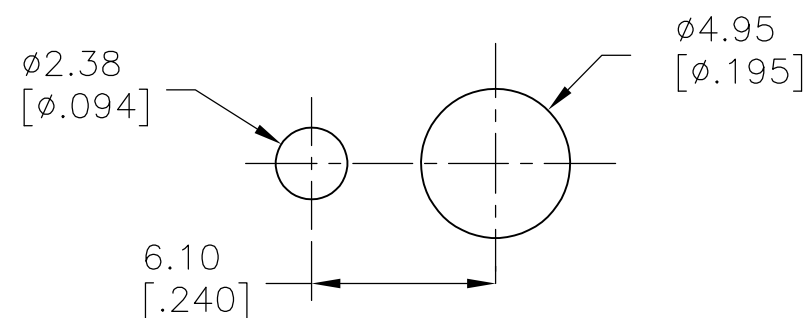


| MODEL NO. | POS.1 | POS.2 | POS.3 |
|-------------|-------|-------|-------|
| TMD | OFF | NONE | ON |
| TERM. COMM. | OPEN | N/A | 3-1 |
| SCHEMATIC | | | |

SWITCH FUNCTION



WITHOUT LOCKING RING



WITH STANDARD LOCKING RING

PANEL MOUNTING

LAYOUT FOR PN 2267079-2

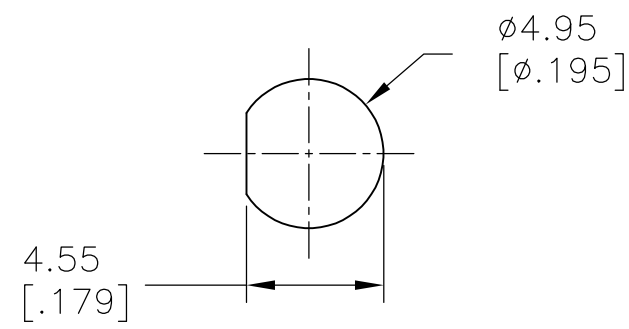
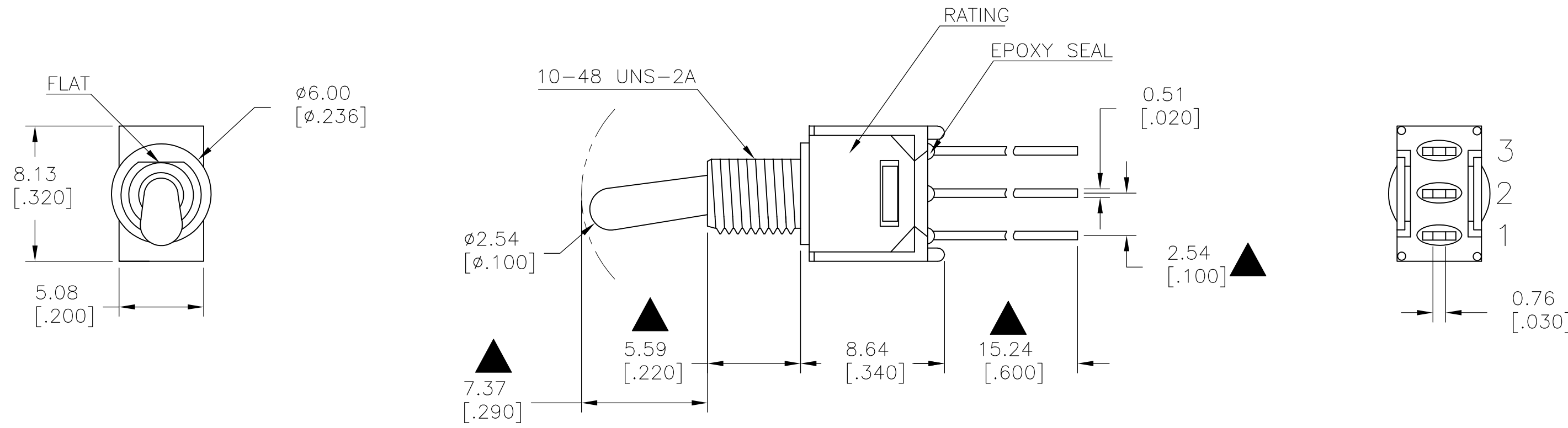
| | | | | |
|--|--|--------------------------------|----------------------------|-----------------------|
| THIS DRAWING IS A CONTROLLED DOCUMENT. | | DWN 11JUL2014 NAGALAKSHMI K | TE Connectivity | |
| DIMENSIONS: mm [INCHES] | | CHK 11JUL2014 HILL, RYAN | | |
| TOLERANCES UNLESS OTHERWISE SPECIFIED: | | APVD 11JUL2014 HILL, RYAN | NAME | |
| 0 PLC ± - 1 PLC ± 0.38[.015] 2 PLC ± 0.25[.010] 3 PLC ± - 4 PLC ± - ANGLES ± 5° | | PRODUCT SPEC | SUBMINIATURE TOGGLE SWITCH | |
| MATERIAL | | FINISH | SIZE | RESTRICTED TO |
| - | | - | A2 | - |
| CUSTOMER DRAWING | | WEIGHT - | CAGE CODE 00779 | DRAWING NO. C=2267079 |
| | | SCALE 3:1 | SHEET 5 of 6 | REV A1 |

THIS DRAWING IS UNPUBLISHED. RELEASED FOR PUBLICATION
 © COPYRIGHT - By - ALL RIGHTS RESERVED.

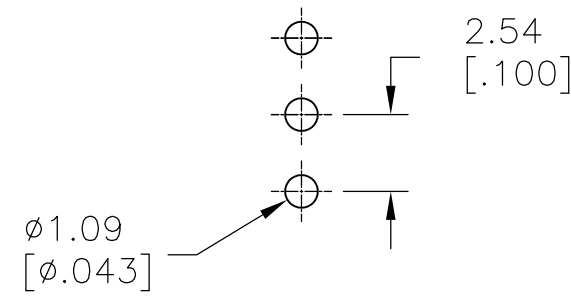
| LOC | | DIST | | REVISIONS | | | |
|-----|-----|-------------|------|-----------|------|---|---|
| P | LTR | DESCRIPTION | DATE | DWN | APVD | | |
| - | - | SEE SHEET 1 | - | - | - | - | - |

| MODEL NO. | POS.1 | POS.2 | POS.3 |
|-------------|-------|-------|-------|
| | | | |
| TMS | ON | NONE | ON |
| TERM. COMM. | 2-3 | | 2-1 |
| SCHEMATIC | | N/A | |

SWITCH FUNCTION



PANEL MOUNTING



SOLDER LUG

LAYOUT FOR PN 2267079-1

| | | | | |
|--|--|--------------------------------|----------------------------|---------------|
| THIS DRAWING IS A CONTROLLED DOCUMENT. | | DWN 11JUL2014 NAGALAKSHMI K | TE Connectivity | |
| DIMENSIONS: mm [INCHES] | | CHK 11JUL2014 HILL, RYAN | | |
| TOLERANCES UNLESS OTHERWISE SPECIFIED: | | APVD 11JUL2014 HILL, RYAN | NAME | |
| 0 PLC ± - | | PRODUCT SPEC | SUBMINIATURE TOGGLE SWITCH | |
| 1 PLC ± 0.38[.015] | | APPLICATION SPEC | SIZE | CAGE CODE |
| 2 PLC ± 0.25[.010] | | WEIGHT | A2 | 00779 |
| 3 PLC ± - | | FINISH | SCALE | DRAWING NO |
| 4 PLC ± - | | | 3:1 | C=2267079 |
| ANGLES ± 5° | | CUSTOMER DRAWING | SHEET | RESTRICTED TO |
| MATERIAL | | | 6 of 6 | - |
| | | | REV | A1 |